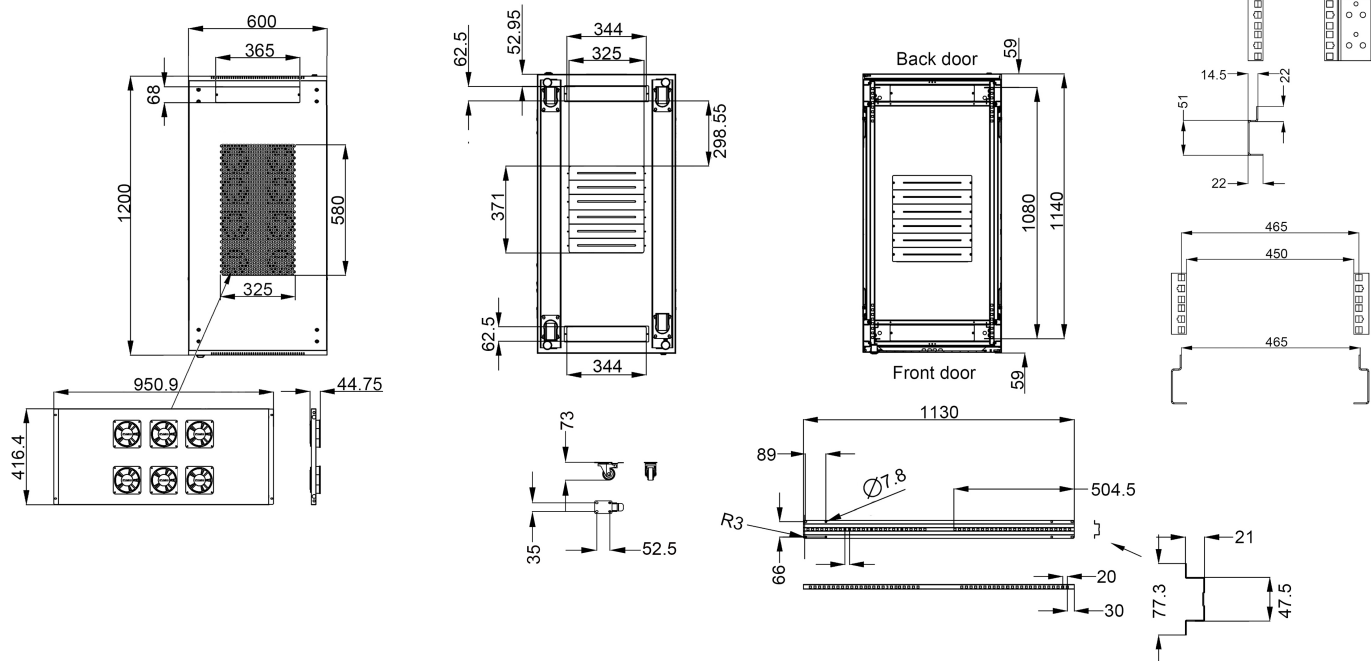


FF01-62XX-12/23B				
U/H	H1	H2	H3	H4
15	839.9	766.9	671.9	561.9
18	973.2	900.2	805.2	695.2
22	1151.0	1078.0	983.0	873.0
24	1239.9	1166.9	1071.9	961.9
27	1373.3	1300.3	1205.3	1095.3
32	1595.5	1522.5	1427.5	1317.5
37	1817.8	1744.8	1649.8	1539.8
42	2040.0	1967.0	1872.0	1762.0
47	2262.3	2189.3	2094.3	1984.3



*Note: H1= Height include castor
H2= Height between top and bottom
H3= Height of door
H4= Height of the mesh

