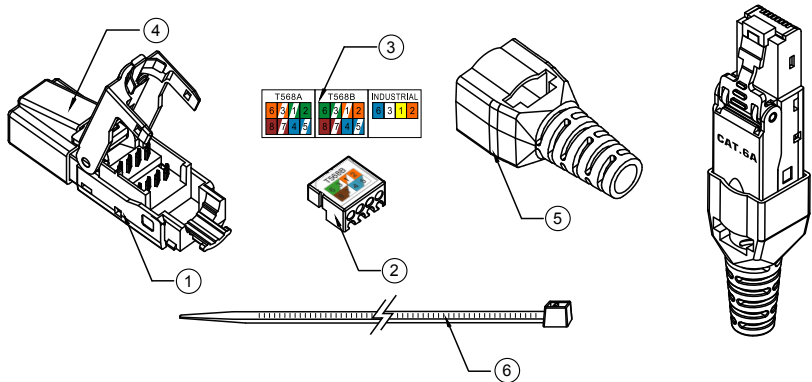
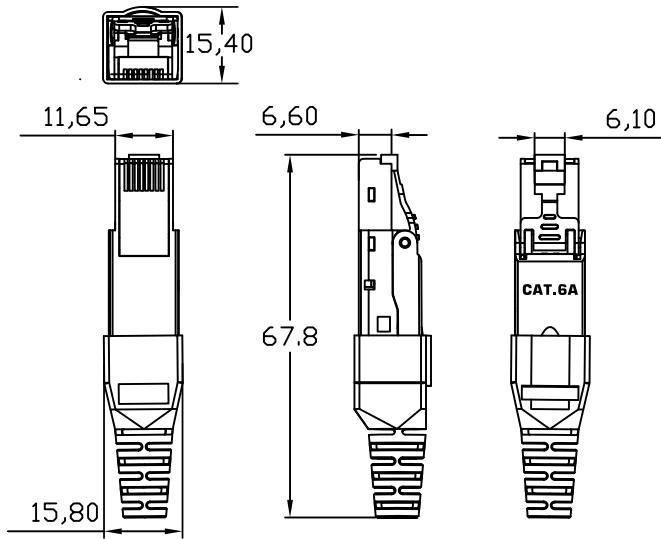
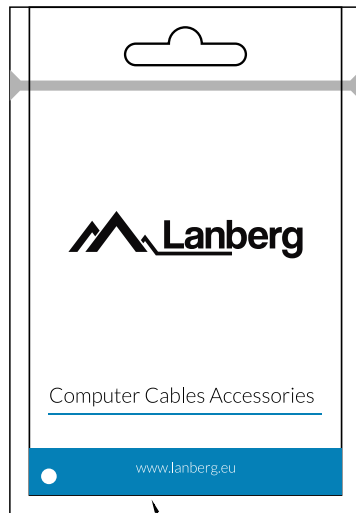


FILE AMEND NOTE	DATE	REV.
ORIGINAL EDITION	February 10, 2020	A/0



### PACKAGE DRAW



### SPECIFICATION

- Easily assemble without special tool.
- Suitable for solid wire from AWG 26/1 to AWG 22/1.
- Compliance with Class Ea ISO/IEC 11801 Ed.2.2.2011-06, DIN EN 50173-1:2011-09 10 GB IT suitable according to IEEE 802.3an.
- Adjustable strain relief, suitable for cable jacket diameter from 6.0 to 9.0mm.
- Load bar for faster and easier wire pattern termination.
- Reuseable design.
- 3μ gold plated phosphor bronze pin, durability: ≥750 cycles.
- Operating temperature: -25 °C to 68 °C, relative humidity: ≤85%, air pressure: 70 to 106KPa.
- Intermediate resistance: ≤ 20M Ω in normal atmosphere pressure (not include bulk resistor).
- Insulated resistance: ≥ 1000M Ω in normal atmosphere pressure.
- Withstanding voltage: DC 1000V (AC 700V), no puncture or spark-over in 1 minute.
- Retention strength: 7.7kg between jack and plug.
- RoHS 2.0 compliant.

### MATERIAL LIST

⑦	PACKAGE	String bag, size: 9x13mm	1
⑥	CABLE TIE	Material: Nylon	1
⑤	STRIAN RELIEF	Material: PC	1
④	DUST COVER	Material: PC	1
③	WIRING LABEL	Material: laminated paper	1
②	WIRING CAP	Material: PC	1
①	MAIN BODY	PC body, 3μ gold plated phoshor bronze pin	1
No.	PART NAME	DESCRIPTION	QTY

DRAW No.		NAME	CAT.6A UNSHIELD TOOLLESS MODULAR PLUG	
CUSTOMER		MAPE	TOLERANCE	
MODEL No.	PLUA-6000TL		X. ±1.00	X.X ±0.50
APPROVE BY	CHECK BY	DRAW BY	SCALE	MM
			PAGE	1/1